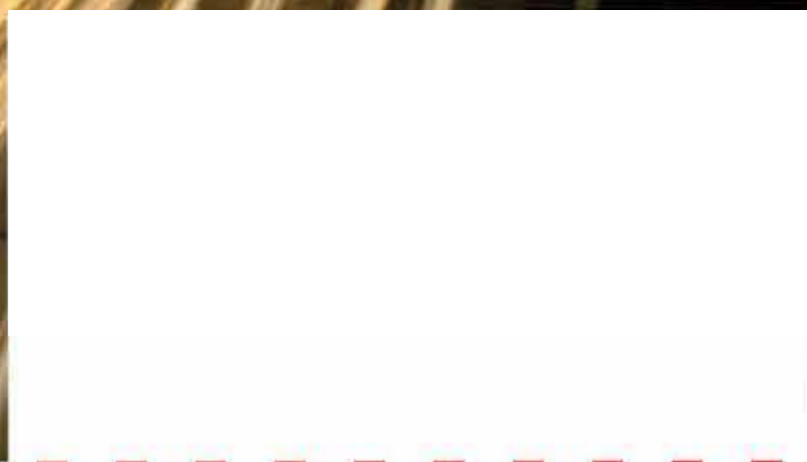




**Mehr Sicherheit
mit Absperrentechnik
von ASA!**

**More safety with
barriertechnics
by ASA!**

All types of barriers



REINHOLD-STAHL-METALLBAU-GMBH

Zugspitzstraße 4 · 82131 Gauting · Tel. 089-850 20 25 · Fax 089-850 08 34
rsm@reinhold-stahlmetallbau.de · www.reinhold-stahlmetallbau.de

REINHOLD-STAHL-METALLBAU-GMBH



Reinhold`s steel-stainless steel manufactory ltd.

Reinhold-Stahl-Metallbau GmbH has been working for its customers since 1982. We are located in Gauting (near Munich) - Bavaria. Our main business areas are metal constructions and metalwork.

Our core competence is manufacturing bollards, barriers and bicycle stands. During many years of development in collaboration with our customers we generated a diverse, functional, workable and also decorative product range.

In the metal processing we offer wide range of small to medium steel construction as well as the general metalwork.

Our goal is to provide our customers in all areas competently and support comprehensibly to find an optimal solution.

In combination with qualitative products, a delivery on schedule, but also a moderate pricing, we prepare the basis of a good cooperation and the satisfaction of our longstanding customers.



**broad safety
with ASA!**



Pollards

page 5

round pollards (Ø 70, 76 and 102 mm) fixed and removable	6
round pollards (Ø 70, 76 and 102 mm) collapsible	7
square pollards (70 x 70 mm) fixed	7
square pollards (70 x 70 mm) removable and collapsible	8



Ornamental Pollards

page 9

ornamental pollards (Ø 70 mm) fixed and removable	10
ornamental pollards (Ø 76 mm) fixed and removable	11
ornamental pollards (Ø 102 mm) fixed	12
ornamental pollards (Ø 102 mm) removable	13
ornamental pollards stainless (Ø 70, 76, 102 mm) fixed and removable	14

Field protection

page 15



Parking Barriers

chain barrier (Ø 70 mm) fixed	16
frame barrier (Ø 70 mm) collapsible	17
Fire brigade guidebollard (Ø 42, Ø 60 mm) fixed and removable	17

Travel Barriers

travel barrier round 90° (Ø 70 mm) removable	18
travel barrier square (60 x 60 mm) swivelling	18
travel barrier half-barriers (Ø 76 mm) swivelling	18

Mobile Barriers

castingplate bollard	19
----------------------	----

Path Markers

hoop barrier (Ø 60 mm) fixed	19
sign post (Ø 60 mm)	19
turnstile (Ø 60 mm)	20

clothes trestle and clothes post (Ø 60 mm)	20
--	----

Bicycle Stands

page 21



Bicycle Racks

Bicycle rack „ASA-Bikee“

22

Storage Brackets

Storage bracket „RX“, „RT“ and „SRV“

23

Bicycle Stands

Staples AB 60/42, AB 60 G and flat steel

24



Manual Barriers

page 25

Manual Tilt Barriers

22

Manual Turn Barriers

23

Forest Barriers

24

Bollard accessories

page 29

Metal constructions

page 30



Automatic Barriers & Gate Drive

page 31

Chain sinkers KA 100

32

QIK automatic barriers

33

LUXO gate drive for swing gates

34

CROSS 3 gate drive for sliding gates

35

staples AB 60/42, AB 60 G and flat steel

36



You can not get past ASA!

Free travel in case of emergency.

ASA bollards are used for securing firebrigade driveways according to DIN 14090, as well as to protect public areas, parking lots and private driveways.

Hot dip galvanized, they can withstand any weather. You can choose between numerous designs and possibilities.

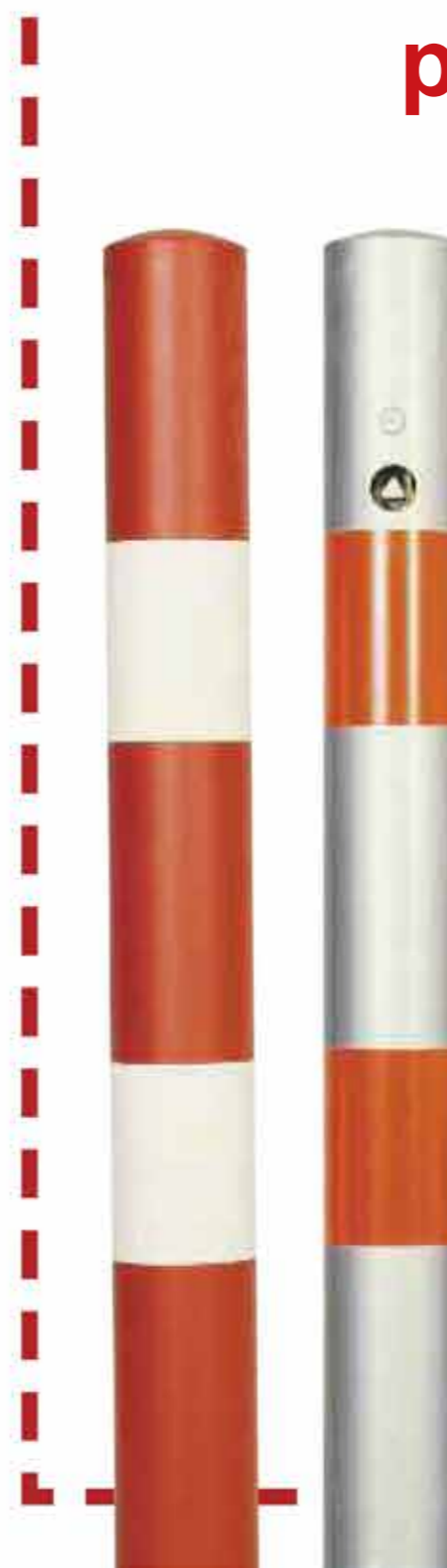
Whether for permanent or temporary use, ASA bollards can not be overlooked and provide optimum protection.

- > Round Bollards
- > Square Bollards
- > fixed, removable, collapsible

Designs:

if you order please write the Art.Nr. + Design (for example: 7FV br)

- a = hot dip galvanized
- b = hot dip galvanized, red warning slides
- br = hot dip galvanized, red reflecting slides
- c = hot dip galvanized, RAL 3000 bollard with white warning slides
- cr = hot dip galvanized, RAL 3000 bollard with white reflecting slides
- d = hot dip galvanized, varnishing in colour of your choice
- p = hot dip galvanized, powder-coated in colour of your choice



fixed - round

for concreting or with base plate for dowelling

Technical specifications:

Steel pipe with welded, slightly curved steel end cap and rainwater repellent disk
 Height upper edge: 950 mm
 Base depth: 350 mm

Or base plate 150x150 mm for dowelling.

We offer also a floor recess pipe with contact plate for concreting.

Diameter Ø	70 mm	76 mm	102mm
for concreting	7 FV	76 FV	10 FV
for dowelling	7 FVD	76 FVD	10 FVD
floor recess pipe with contact plate	BEK	BEK	BEK

more accessories and spare parts on page 29

**removable - round**

for concreting or with base plate for dowelling

Technical specifications:

Steel pipe with welded, slightly curved steel end cap and rainwater repellent disk
 Height upper edge: 950 mm
 Base depth: 350 mm with ground socket

We offer two types of locking systems:

- Handlocking Bollards:

The bollard is set into the ground socket, then the lock is opened and held in this position. Next the bollard is turned clockwise as far as it will go, and the lock is relieved to close. Take it out by following the above-named steps backwards.

- Selflocking Bollards:

The bollard is set into the ground socket and will lock by itself. Take it out by opening the lock and simultaneous remove the bollard.

Handlocking Bollards

Diameter Ø	70 mm	76 mm	102mm
Fire brigade access			
DIN 3223 triangular	7 HF3	76 HF3	10 HF3
DIN 14925 hexagonal padlock	7 HF6	76 HF6	10 HF6
	7 HV	76 HV	10 HV

General access roads

8 mm triangular	7 HA	76 HA	10 HA
safety lock	7 HS	76 HS	10 HS
profile half-cylinder	7 HP	76 HP	10 HP

Accessories

triangular key for DIN 3223	19DK	19 DK	19 DK
hexagonal key for DIN 14925	SK	SK	SK
triangular key 8mm	8 DK	8 DK	8DK
ground socket	7 BH	76 BH	10 BH
padlock long shackle	VS L	VS L	VS L

more accessories and spare parts on page 29

**Selflocking Bollards**

Diameter Ø	70 mm	76 mm	102mm
Fire brigade access			
DIN 3223 triangular	7 HF3se	76 HF3SE	10 HF3SE
DIN 14925 hexagonal	7 HF6se	76 HF6SE	10 HF6SE

General access roads

8 mm triangular	7 HASE	76 HASE	10 HASE
safety lock	7 HSSE	76 HSSE	10 HSSE
profile half-cylinder	7 HPSE	76 HPSE	10 HPSE

Accessories

triangular key for DIN 3223	19DK	19 DK	19 DK
hexagonal key for DIN 14925	SK	SK	SK
triangular key 8mm	8 DK	8 DK	8DK
ground socket	7 BHSE	76 BHSE	10 BHSE

more accessories and spare parts on page 29

collapsible - round**Technical specifications:**

Steel pipe with welded, curved end cap, with base plate 140 x 160 mm for dowelling (3 holes d = 12,5 mm);
 Height upper edge: 950 mm
 For bollards with a base plate we offer a floor recess pipe with contact plate for concreting. The height of the bollard in the folded state is:
 Ø 70 mm approx. 100 mm,
 Ø 76 mm approx. 110 mm
 Ø 102 mm approx. 130 mm

Diameter Ø	70 mm	76 mm	102mm
------------	-------	-------	-------

Fire brigade access

DIN 3223 triangular	7 UF3	76 UF3	10 UF3
DIN 14925 hexagonal padlock	7 UF6	76 UF6	10 UF6
	7 UV	76 UV	10 UV

General access roads

8 mm triangular	7 UA	76 UA	10 UA
safety lock	7 US	76 US	10 US
profile half-cylinder	7 UP	76 UP	10 UP

Accessories

triangular key for DIN 3223	19DK	19 DK	19 DK
hexagonal key for DIN 14925	SK	SK	SK
triangular key 8mm	8 DK	8 DK	8DK

Mounting material

Steel Plugs B 12 / 40	STD	STD	STD
floor recess pipe with contact plate	BEK	BEK	BEK
padlock long shackle	VS L	VS L	VS L

more accessories and spare parts on page 29

**fixed - square**

for concreting

Technical specifications:

Steel pipe with welded steel end cap and rainwater repellent disk for concreting or with base plate for dowelling.
 For bollards with a base plate we offer a floor recess pipe with contact plate for concreting.
 Height upper edge: 950 mm
 Base depth: 350 mm
 Steel pipe: 70 x 70 mm

for concreting	VKFV
for dowelling	VKFD
floor recess pipe with	BEK

more accessories and spare parts on page 29



removable - square**Technical specifications:**

Steel pipe with welded steel end cap and rainwater repellent disk, selflocking
 Height upper edge: 950 mm
 Base depth: 350 mm
 Steel pipe: 70 x 70 mm

Selflocking**Fire brigade access**

DIN 3223 triangular	VKHF3SE
DIN 14925 hexagonal	VKHF6SE

General access roads

8 mm triangular	VKHASE
safety lock	VKHSSE
profile half-cylinder	VKHPSE

Accessories

triangular key for DIN 3223	19 DK
hexagonal key for DIN 14925	SK
triangular key 8mm	8DK
ground socket	VKBHSE

more accessories and spare parts on page 29

**collapsible - square****Technical specifications:**

Steel pipe with welded steel end cap and rainwater repellent disk, selflocking
 Height upper edge: 950 mm
 Base depth: 350 mm
 Steel pipe: 70 x 70 mm

Selflocking**Fire brigade access**

DIN 3223 triangular	VKUF3SE
DIN 14925 hexagonal	VKUF6SE

General access roads

8 mm triangular	VKUASE
safety lock	VKUSSE
profile half-cylinder	VKUPSE

Accessories

triangular key for DIN 3223	19 DK
hexagonal key for DIN 14925	SK
triangular key 8mm	8DK

more accessories and spare parts on page 29



ASA means safety and more appeal!

**The first impression is often decisive.**

In the individual design of public, commercial and private outdoor facilities ASA ornamental bollards stand out by high security, functionality, and also by simple elegance and contemporary design.

- > Ornamental Bollards
- > Stainless steel Bollards

Designs:

if you order please write the Art.Nr. + Design (for example: 7FV br)

- a** = hot dip galvanized
- b** = hot dip galvanized, red warning slides
- br** = hot dip galvanized, red reflecting slides
- c** = hot dip galvanized, RAL 3000 bollard with white warning slides
- cr** = hot dip galvanized, RAL 3000 bollard with white reflecting slides
- d** = hot dip galvanized, varnishing in colour of your choice
- p** = hot dip galvanized, powder-coated in colour of your choice



Barriers for house and home - how you like!

Ornamental Bollards Ø 70mm, fixed for concreting

Technical specifications:
 Steel pipe: Ø 70 mm
 Height upper edge: 950 mm
 Base depth: 350 mm

Steel pipe with rainwater repellent disk and attached ornamental head. For bollards with a base plate we offer a floor recess pipe with contact plate for concreting.

for concreting	7 FV + selected Ornament
with base plate	7 FVD + selected Ornament
floor recess pipe with contact plate	BEK

more accessories and spare parts on page 29



cone cone with onion cone with Lionhead ring

Ornamental Bollards Ø 70 mm, removable

Technical specifications:
 Steel pipe: Ø 70 mm
 Height upper edge: 950 mm
 Base depth: 350 mm

Steel pipe with rainwater repellent disk and attached ornamental head. We offer two types of locking systems. More information on page 6.

Handlocking Bollards

Fire brigade access	
DIN 3223 triangular	7 HF3 + Ornament
DIN 14925 hexagonal padlock	7 HF3 + Ornament 7 HP + Ornament
General access roads	
8 mm triangular safety lock	7 HA + Ornament
profile half-cylinder	7 HS + Ornament 7 HP + Ornament
Accessories	
triangular key for DIN 3223	19 DK
hexagonal key for DIN 14925	SK
triangular key 8mm	8DK
ground socket	7BH
padlock long shackle	VS L

more accessories and spare parts on page 29

Selflocking Bollards

Fire brigade access	
DIN 3223 triangular	7 HF3 SE + Ornament
DIN 14925 hexagonal	7 HF3 SE + Ornament
General access roads	
8 mm triangular safety lock	7 HA SE + Ornament
profile half-cylinder	7 HS SE + Ornament 7 HP SE + Ornament
Accessories	
triangular key for DIN 3223	19 DK
hexagonal key for DIN 14925	SK
triangular key 8mm	8DK
ground socket	7BHSE

more accessories and spare parts on page 29

Ornamentals on top (for Ø70): please select



Ornamentals in the middle: (for Ø70) please select



Barriers for house and home - how you like!

Ornamental Bollards Ø 76mm, fixed for concreting

Technical specifications:
 Steel pipe: Ø 76 mm
 Height upper edge: 950 mm
 Base depth: 350 mm

Steel pipe with rainwater repellent disk and attached ornamental head. For bollards with a base plate we offer a floor recess pipe with contact plate for concreting.

for concreting	76 FV + selected Ornament
with base plate	76 FVD + selected Ornament
floor recess pipe with contact plate	BEK

more accessories and spare parts on page 29



Ornamental Bollards Ø 76 mm, removable

Technical specifications:
 Steel pipe: Ø 76 mm
 Height upper edge: 950 mm
 Base depth: 350 mm

Steel pipe with rainwater repellent disk and attached ornamental head. We offer two types of locking systems. More information on page 6.

Handlocking Bollards

Fire brigade access	
DIN 3223 triangular	76 HF3 + Ornament
DIN 14925 hexagonal padlock	76 HF3 + Ornament 76 HP + Ornament
General access roads	
8 mm triangular safety lock	76 HA + Ornament
profile half-cylinder	76 HS + Ornament 76 HP + Ornament
Accessories	
triangular key for DIN 3223	19 DK
hexagonal key for DIN 14925	SK
triangular key 8mm	8DK
ground socket	76BH
padlock long shackle	VS L

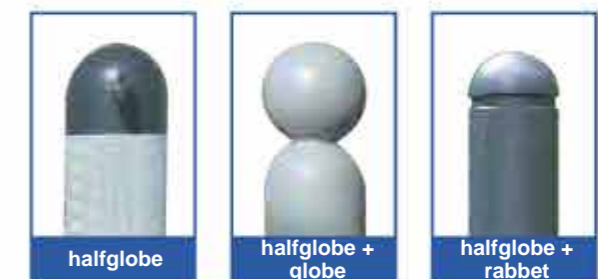
more accessories and spare parts on page 29

Selflocking Bollards

Fire brigade access	
DIN 3223 triangular	76 HF3 SE + Ornament
DIN 14925 hexagonal	76 HF3 SE + Ornament
General access roads	
8 mm triangular safety lock	76 HA SE + Ornament
profile half-cylinder	76 HS SE + Ornament 76 HP SE + Ornament
Accessories	
triangular key for DIN 3223	19 DK
hexagonal key for DIN 14925	SK
triangular key 8mm	8DK
ground socket	76BHSE

more accessories and spare parts on page 29

Ornamentals on top (for Ø76): please select



You've got the choice: Ornamental Bollards by ASA!

Ornamental Bollards Ø 102mm, fixed for concreting or with base plate

Technical specifications:
Steel pipe: Ø 102 mm
Height upper edge: 950 mm
Base depth: 350 mm

Steel pipe with rainwater repellent disk and attached ornamental head. For bollards with a base plate we offer a floor recess pipe with contact plate for concreting.

for concreting	10 FV + Ornament
with base plate	10 FVD + Ornament
floor recess pipe with contact plate	BEK

more accessories and spare parts on page 29



You've got the choice: Ornamental Bollards by ASA!

Ornamental Bollards Ø 102 mm, removable

Technical specifications:
Steel pipe: Ø 102 mm
Height upper edge: 950 mm
Base depth: 350 mm

Steel pipe with rainwater repellent disk and attached ornamental head. We offer two types of locking systems. More information on page 6.

Handlocking Bollards

Fire brigade access	
DIN 3223 triangular	10 HF3 + Ornament
DIN 14925 hexagonal	10 HF3 + Ornament
padlock	10 HP + Ornament

General access roads	
8 mm triangular	10 HA + Ornament
safety lock	10 HS + Ornament
profile half-cylinder	10 HP + Ornament

Accessories	
triangular key for DIN 3223	19 DK
hexagonal key for DIN 14925	SK
triangular key 8mm	8DK
ground socket	10BH
padlock long shackle	VS L

more accessories and spare parts on page 29

Selflocking Bollards

Fire brigade access	
DIN 3223 triangular	10 HF3 SE + Ornament
DIN 14925 hexagonal	10 HF3 SE + Ornament

General access roads	
8 mm triangular	10 HA SE + Ornament
safety lock	10 HS SE + Ornament
profile half-cylinder	10 HP SE + Ornament

Accessories	
triangular key for DIN 3223	19 DK
hexagonal key for DIN 14925	SK
triangular key 8mm	8DK
ground socket	10BHSE

more accessories and spare parts on page 29

Ornaments on top (for Ø102): please select



Ornaments in the middle: (for Ø102) please select



Solid brilliance - stainless steel bollards by ASA

Stainless Bollards fixed

for concreting or with base plate

Technical specifications:

Stainless Steel pipe (1.4301) with welded, rainwater repellent disk

Height upper edge: 950 mm

Base depth: 350 mm

Or base plate 150 x 150mm for doweling. We offer also a floor recess pipe with contact plate for concreting.

Diameter Ø	70 mm	76 mm	102mm
for concreting	E7 FV	E76 FV	E10 FV
+ decorative element for dowelling	E7 FVD	E76 FVD	E10 FVD
+ decorative element			
Accessories			
Steel Plugs B 12 / 40	STD	STD	STD
floor recess pipe with contact plate	BEK	BEK	BEK

more accessories and spare parts on page 29



Decorative Element:

please select



Stainless Bollards fixed

Technical specifications:

Stainless Steel pipe (1.4301) with welded, rainwater repellent disk

Height upper edge: 950 mm

Base depth: 350 mm

Ground socket hot dip galvanized.

We offer two types of locking systems. More information on page 6.

Handlocking Bollards

Diameter Ø	70 mm	76 mm	102mm
Fire brigade access			
DIN 3223 triangular	E7HF3	E76HF3	E10HF3
+ decorative element			
DIN 14925 hexagonal	E7HF6	E76HF6	E10HF6
+ decorative element			
padlock	E7HV	E76HV	E10HV
+ decorative element			

General access roads

8 mm triangular	E7HA	E76HA	E10HA
+ decorative element			
safety lock	E7HS	E76HS	E10HS
+ decorative element			
profile half-cylinder	E7HP	E76HP	E10HP
+ decorative element			

Accessories

triangular key DIN 3223	19DK	19 DK	19 DK
hexagonal key DIN 14925	SK	SK	SK
triangular key 8mm	8 DK	8 DK	8DK
ground socket	7BH	76BH	10BH

more accessories and spare parts on page 29

Selflocking Bollards

Diameter Ø	70 mm	76 mm	102mm
Fire brigade access			
DIN 3223 triangular	E7HF3SE	E76HF3SE	E10HF3SE
+ decorative element			
DIN 14925 hexagonal	E7HF6SE	E76HF6SE	E10HF6SE
+ decorative element			

General access roads

8 mm triangular	E7HASE	E76HASE	E10HASE
+ decorative element			
safety lock	E7HSSE	E76HSSE	E10HSSE
+ decorative element			
profile half-cylinder	E7HPSE	E76HPSE	E10HPSE
+ decorative element			

Accessories

triangular key DIN 3223	19DK	19 DK	19 DK
hexagonal key DIN 14925	SK	SK	SK
triangular key 8mm	8 DK	8 DK	8DK
ground socket	7BHSE	76BHSE	10BHSE

more accessories and spare parts on page 29



Create „Freedom“ and save it with ASA!

In terms of safety, ASA is ahead.
In the everyday life, plots, danger spots and green areas need a clear shut-off.

To protect your parking spaces and access roads like fire service routes ASA offers you various products for the permanent or temporary usage.

- > Parking Barriers
- > Path Barriers
- > Mobile Barriers
- > Path Markers



Keep your parking lot free - easy and effective!

Effective and robust demarcation of parking lots, outdoor parking and parking in underground garages.

Chain Barrier

Technical specifications:

Standard: steel pipe Ø 70 mm
 Height upper edge: 950 mm
 Base depth: 350 mm or with base plate 150 x 150 mm
 With welded, slightly curved steel end cap and rainwater repellent disk.
 The chain lock include closure plug with chain, which can be closed by a profile half cylinder
 Please specify: closure plug right or left removable.

fixed, for concreting

with one chain eye	KFO
with chain lock	KFS

fixed, for dowelling

with one chain eye	KDO
with chain lock	KDS
Steel Plugs B 12 / 40	STD
floor recess pipe with contact plate	BEK

removable

DIN 3223 triangular with chain lock	KHS
ground socket	7BH
triangular key for DIN 3223	19 DK

chain locks

for wall mounting	KW
once	KS
three possible diameters: Ø70, 76, 102 mm	
variable height and number of chain eyes	
more accessories and spare parts on page 29	



fixed fixed with chain lock removable triangular DIN 3223 with chain lock



for dowelling with chain eye for dowelling with chain lock



Keep your parking lot easy and effective free!

Frame Barrier

Technical specifications:

Standard: steel pipe Ø 70 mm
 Height upper edge: 800 mm
 Barrier width: 1000 mm
 with base plate for dowelling (4 holes d = 12,5 mm);
 with welded, slightly curved steel end cap

Fire brigade access

DIN 3223 triangular	BSB F3
DIN 14925 hexagonal	BSB F6
padlock	BSB V

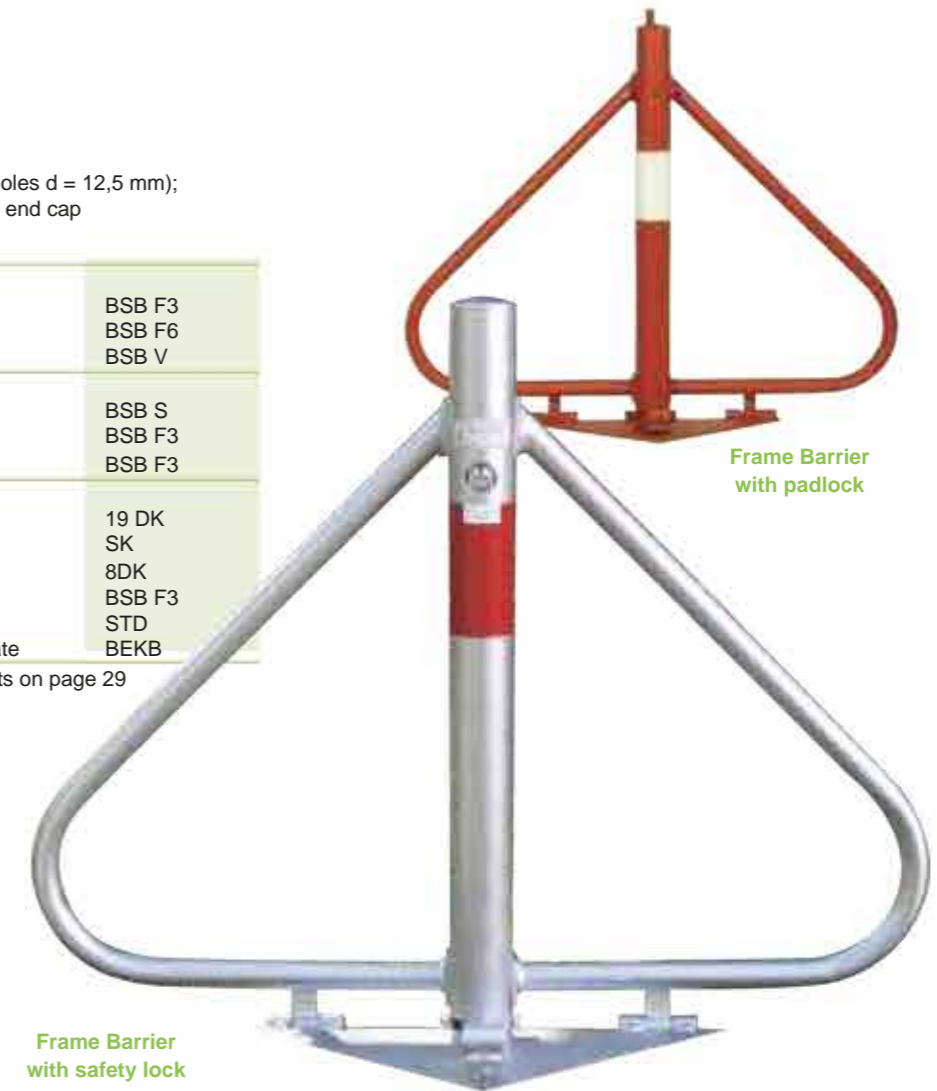
General access roads

8 mm triangular	BSB S
safety lock	BSB F3
profile half-cylinder	BSB F3

Accessories

triangular key for DIN 3223	19 DK
hexagonal key for DIN 14925	SK
triangular key 8mm	8DK
padlock long shackle	BSB F3
Steel Plugs B 12 / 40	STD
floor recess pipe with contact plate	BEKB

more accessories and spare parts on page 29



Frame Barrier with safety lock

Frame Barrier with padlock

Fire Brigade Guidebollards

for a clearly visible edge limitation of fire brigades access road according to DIN 14090

Technical specifications:

- Standard: steel pipe Ø 42 mm / Ø 60 mm
- Height upper edge: 500 mm
- Base depth: 300 mm
- Plastic end cap / welded steel end cap / fitting end cap
- for concreting or removable mounting
- hot dip galvanized, powder-coated RAL 9010 white

Diameter Ø 42 mm	fixed	removable
with plastic cap	FFF42	FFH42
with steel cap / fitting cap	FFF42SK	FFH42SK

Diameter Ø 60 mm	fixed	removable
with plastic cap	FFF60	FFH60
with steel cap / fitting cap	FFF60SK	FFH60SK

more accessories and spare parts on page 29



fixed removable with ground socket



varnished head end for diameter Ø 60mm



Safe indoor areas - quick and effective

Castingplate Bollard

used for temporarily securing indoor areas

Technical specifications:

- Height OK: 1000 mm, with castingplate Ø 350 mm
- Bollards of hot-dip galvanized steel pipe Ø 42 mm, with 2 chain eyes and black plastic cap
- Bollards made of brushed stainless steel tube Ø 42 mm, with 2 chain eyes and brass globe

steel hot dip galvanized	GT-Z
steel hot dip galvanized + varnished	GT-L
stainless steel	GT-E
more accessories and spare parts on page 29	



ASA guides you the right way - safe and easy

Hoop Barrier

for the demarcation of lawns or as tree protection bracket

Technical specifications:

- Round pipe Ø 60 mm, complete height 900 mm,
- 90° rounded or welded on mitre

Lengths	
1,00 m	BB1
1,50 m	BB1,5
2,00 m	BB2
2,50 m	BB2,5
3,00 m	BB3
3,50 m	BB3,5
4,00 m	BB4
other Lengths possible	



Sign Post

for safe and easy installation of Signs, plates or similar

Technical specifications:

- Round pipe Ø 60 mm
- hot dip galvanized with black plastic cap
- for concreting

Total lengths	
1,00 m	Schipfo 1
1,50 m	Schipfo 1,5
2,00 m	Schipfo 2
2,50 m	Schipfo 2,5
3,00 m	Schipfo 3
3,50 m	Schipfo 3,5
4,00 m	Schipfo 4
sign clamp	Schelle
other Lengths possible	



Saving paths - fast and effective.

Travel Barrier round 90° - removable for securing railway crossing and walkways

Technical specifications:

- Round pipe Ø 70 mm, height upper edge 950 mm, base depth 350 mm consisting of 2 standpipes for concreting and 1 crossbar as well as a knee strip
- removable with triangular lock DIN 3223 / hexagon lock DIN14925 or profile cylinder. With a ground socket and an inserting ground socket.
- Selflocking: locking when setting the travel barrier.

Lengths	
1,00 m	WeSpe H70/1
1,50 m	WeSpe H70/1,5
2,00 m	WeSpe H70/2
other Lengths possible	



Travel Barrier square - swivelling for securing railway crossing and walkways

Technical specifications:

- Square pipe 60 x 60 mm, height upper edge 900 mm, standpipes with base plate 300 x 300mm and a knee strip
- swivelling, with hinge M16
- Locking with triangular lock DIN 3223 / hexagon lock DIN14925

Lengths	
1,50 m	WeSpe DV70/1,5
2,00 m	WeSpe DV70/2
2,50 m	WeSpe DV70/2,5
3,00 m	WeSpe DV70/3
3,50 m	WeSpe DV70/3,5
4,00 m	WeSpe DV70/4
other Lengths possible	



Travel Barrier square - swivelling for securing railway crossing and walkways

Technical specifications:

- Stand pipe Ø 76 mm, total length 1500 mm, for concreting.
- Rotating part as overflow element with welded locking bar, locking bar and support made of steel tube Ø 40 mm as Locking element running upwards, welded
- Plate for reflectors, plug-in bolt for padlock,
- Lockable at both end positions.

Lengths	
1,50 m	WeSpe VS/1,5
2,00 m	WeSpe VS/2
2,50 m	WeSpe VS/2,5
3,00 m	WeSpe VS/3
other Lengths possible	





Park your Bicycle properly - Bicycle Stands by ASA!

Schools, public squares, company premises and private facilities offer an unpleasant sight, caused by "randomly" and "wild-parked" wheels.

ASA bicycle stands organize this problem!

To avoid unwanted leanings at facades, shop windows and trees and to limit the uncontrolled parking of bicycles, several space-saving variants are available:

- > Bicycle Racks
- > Storage Brackets
- > Bicycle Stands

Designs:

if you order please write the Art.Nr. + Design (for example: 7FV br)

- a = hot dip galvanized
- d = hot dip galvanized, varnishing in colour of your choice
- p = hot dip galvanized, powder-coated in colour of your choice

ASA guides you the right way - safe and easy

Turnstile

used for access regulation

Technical specifications:

- Standpipe Ø 102 mm, swivel Ø 40 mm with bearer
- lockable left, right or free-wheeling
- for concreting, on request also available as removable
- hot dip galvanized

Barrier width 1,00m	DK1
Barrier width 1,50m	DK1,5
Barrier width 2,00m	DK2
more accessories and spare parts on page 29	



Clothes Trestle

Sturdy construction for drying areas, can be arranged in series with each other and by double-sided hook extensible.

Technical specifications:

Made of steel tube Ø 60 mm
Total height: 2500 mm, consisting of two stands and A transverse bar, can be plugged into one another and screwed together. With one-sided or two-sided clothesline hooks. Finish: hot dip galvanized.

Lengths	
2,50 m - 5 hooks one-sided	WaeGe 2,5/1
2,50 m - 5 hooks two-sided	WaeGe 2,5/2
3,00 m - 6 hooks one-sided	WaeGe 3/1
3,00 m - 6 hooks two-sided	WaeGe 3/2
3,50 m - 7 hooks one-sided	WaeGe 3,5/1
3,50 m - 7 hooks two-sided	WaeGe 3,5/2
other lengths possible	



Clothes Posts

Technical specifications:

- Made of steel tube Ø 60 mm
- Total length: 2500 mm, for concreting.
- With 4 welded clothes hooks.
- Finished with plastic cap or welded steel cap.

with plastic cap	WaeSt60PK
with steel cap	WaeSt60SK



A well thought-out system: the bicycle stands from ASA

Bicycle racks „ASA-Bikee“

Example areas of application: schools and day-care centers, factories, sports facilities, bathing establishments, public places, private facilities.

Finish:
hot dip galvanized, the ground clearance of 200 mm ensures a perfect and uncomplicated cleaning.

3 Mounting options

- freestanding with stand, also to be screwed
- for concreting with attached pipe
- Wall mounting (only possible on one side)

Available standard lengths	90° positioning
4 parking places (high-low)	1,40 m
6 parking places (high-low)	2,10 m
8 parking places (high-low)	2,80 m
10 parking places (high-low)	3,50 m

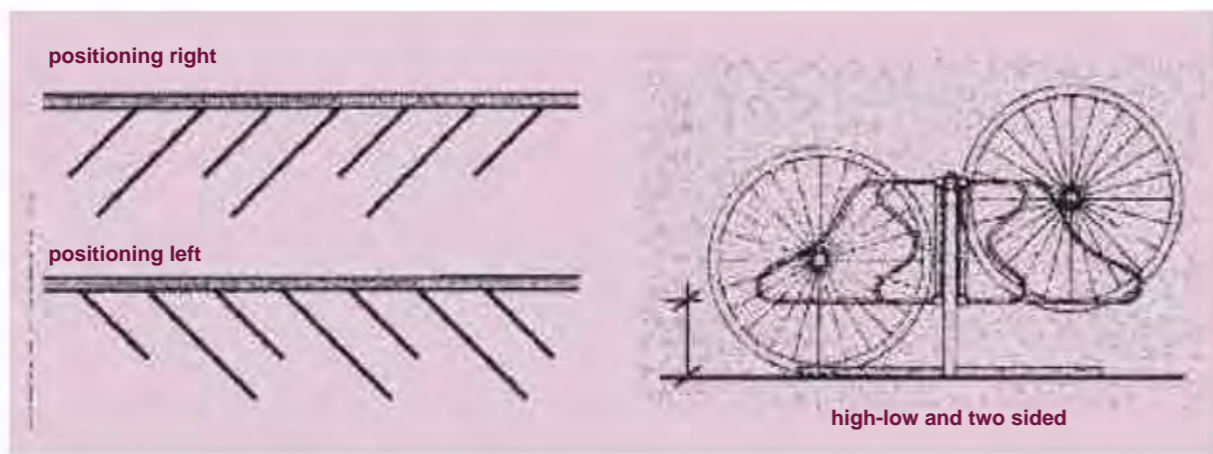
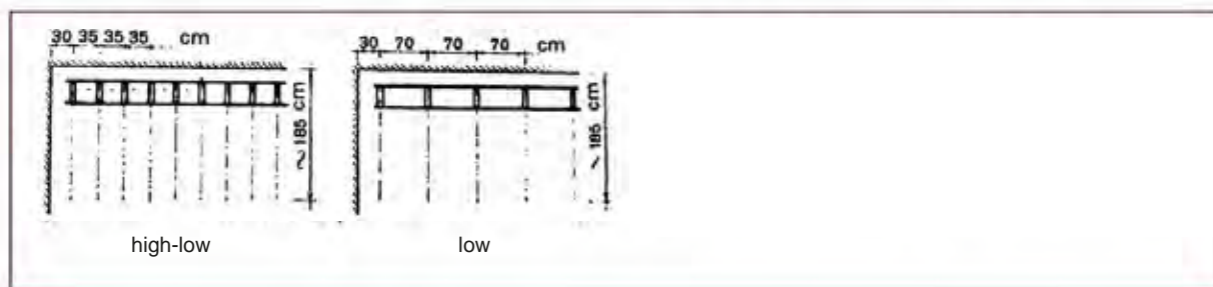
Units which differ of the standard lengths, (parking places or Length) are as a series system due to the odd number of parking places not expandable. They will be produced at your request - for an extra charge.

ASA Bikee is produced in the following variants:

ASA Bikee can be both: one sided or two sided. The two sided variant is two one sided ASA Bikee screwed together.

ASA Bikee 90° high-low or only low	ASA 90
Bicycle racks 45° positioning right	ASA 45R
Bicycle racks 45° positioning left	ASA 45L

Axle dimensions see sketch



Wall mounting: more space for more bikes

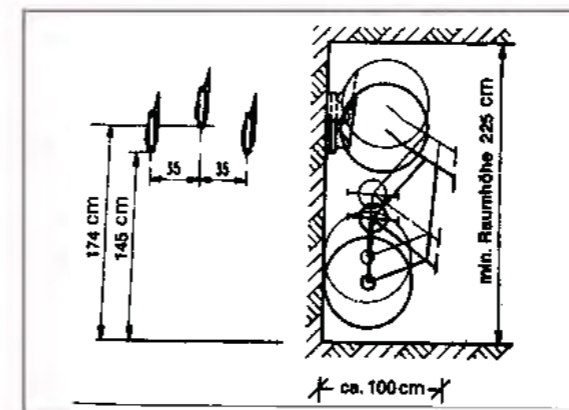
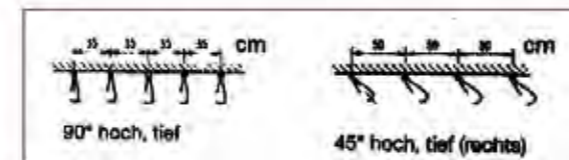
Storage Brackets RX

The space-saving variant of placing bicycles, by alternating high and low mounted brackets.

- Supporting arch with PVC coating for protection of the rims.
- V-shaped suspension bracket secures the bicycles against lateral twisting.
- In addition, a double U-steel cross-member can be provided as an accessory for mounting as a series system
- Design: hot dip galvanized



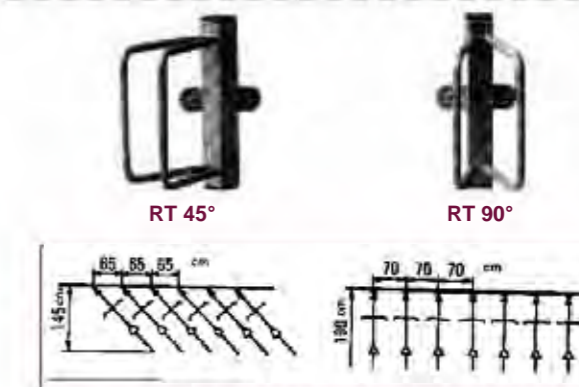
angle position 90°	RX 90
angle position 45° right	RX 45r
angle position 45° left	RX 45l



Storage Brackets RT

Bicycle brackets help avoiding direct leaning of bicycles at facades, shop windows or walls.

- Bicycle Bracket RT can be mounted on vertical walls, facades, pillars and so on. They do not claim any floor area. Distance from the wall 120 - 200 mm.
- Design: hot dip galvanized

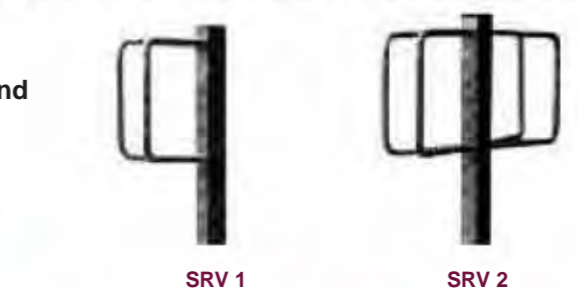


angle position 90°	RT 90
angle position 45°	RT 45

Storage Brackets SRV

The storage bracket SRV is a single bicycle stand and is concreted in the floor.

- Design: hot dip galvanized



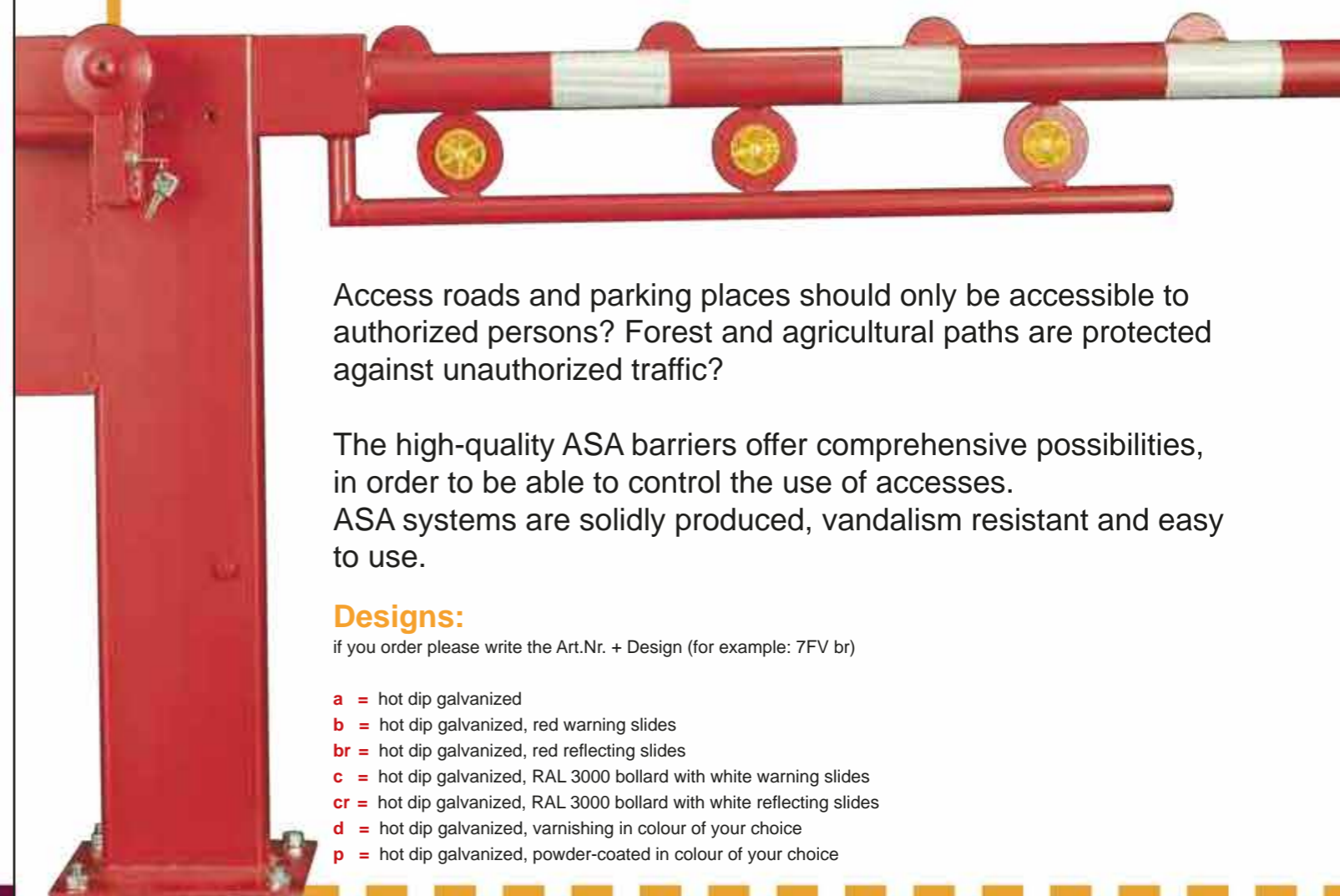
one sided	SRV 1
two sided	SRV 2





Bring others into line - with ASA

- > Manual Tilt Barriers
- > Manual Turn Barriers
- > Forest Turn Barriers



Access roads and parking places should only be accessible to authorized persons? Forest and agricultural paths are protected against unauthorized traffic?

The high-quality ASA barriers offer comprehensive possibilities, in order to be able to control the use of accesses. ASA systems are solidly produced, vandalism resistant and easy to use.

Designs:

if you order please write the Art.Nr. + Design (for example: 7FV br)

- a** = hot dip galvanized
- b** = hot dip galvanized, red warning slides
- br** = hot dip galvanized, red reflecting slides
- c** = hot dip galvanized, RAL 3000 bollard with white warning slides
- cr** = hot dip galvanized, RAL 3000 bollard with white reflecting slides
- d** = hot dip galvanized, varnishing in colour of your choice
- p** = hot dip galvanized, powder-coated in colour of your choice

No falling, no theft: simply lean and lock!

Bicycle stands

By their simple leaning principle bicycle stands avoid the leaning of bicycles at house walls, shop windows, fences etc. Uncomplicated securing of the wheel at the stand.



- Made of steel, hot dip galvanized or stainless steel
- On request coloring by painting or powder coating
- Installation by concreting or dowelling the stands
- Recommended distance between two stands at least 600 mm

Bicycle stand AB 60/42

- from steel pipe Ø 60 mm, cross and knee bar made of steel tube Ø 42 mm
- Standpipes with swivel. Welded Steel end cap, optionally with steel half globe
- Total height 1200 mm, height upper edge 900 mm
- Width 1000 mm
- for concreting, optionally with base plate 150 x 150 mm for doweling
- hot dip galvanized, on request coloring



Steel end cap for concreting	AB60/42
Steel end cap for dowelling	AB60/42D
Half globe for concreting	AB60/42HKu
Half globe for dowelling	AB60/42HKuD

Bicycle stand AB 60 G

- made of steel pipe Ø 60 mm, U-shaped, corners 90 ° mitred welded
- Total height 1200 mm, height upper edge 900 mm, width 1000 mm
- optional with knee brace
- for concreting or with a base plate 150 x 150 mm for doweling
- hot dip galvanized, on request coloring



For concreting	AB60G
For dowelling	AB60GD

Bicycle stand flat steel

- made of flat steel, U-shaped, corners 90 ° mitred welded or curved
- Total height 1200 mm, height upper edge 900 mm, width 1000 mm
- optional with knee brace
- for concreting or with a base plate 150 x 150 mm for doweling
- hot dip galvanized, on request coloring



	for concreting	for dowelling
flat steel	AB F150	ABF150D
flat steel	ABF1100	ABF1 100D



Easy to use, difficult to overlook: barriers of ASA!

Barriers

For safe shut-off of entrances, exits and access roads or as path limit.

Manual Tilt Barrier

Technical specifications:

- Height OK: 950 mm, solid steel rectangular pipe 200 x 100 mm, base plate 300 x 300 mm with 4 holes Ø 18.5 mm
 - Barrier boom vertically, consisting of steel pipe Ø 70 mm with joist Ø 33.7 mm, optionally with seat deflectors
 - Welded spacers with reflector plates between barrier tree and joist
 - from a tree length of 3.00 m the barrier tree material will be made of aluminum, Ø 70 mm with angled sheet metal
 - Two separate locks for emergency unlocking and operational unlocking
 - The operational locking may be equipped with a forced closure
- forced closure = you can only remove the key when the barrier is locked



Barrier tree out of aluminum



Barrier tree out of steel with seat deflectors

Locking Systems:

Emergency Locking:

- Triangular lock DIN 3223
 - Hexagonal lock DIN 14925
- Both closures with stainless steel safety cap and additional padlock
- City-related fire brigade closure

Operational Locking:

- Profile half cylinder 30/10 mm
- Optional with forced closure

barrier tree lengths

barrier tree steel	
1,50 m	HKS1,5
2,00 m	HKS2
2,50 m	HKS2,5
3,00 m	HKS3

barrier tree steel	
3,50 m	HKS AI3,5
4,00 m	HKS AI4
4,50 m	HKS AI4,5
5,00 m	HKS AI5

other lengths possible

accessories	
seat deflectors	SAW
support post	APK
mounting compound anchors	VAP

Easy to use, difficult to overlook: barriers of ASA!

Manual Turn Barrier

Technical specifications:

- Height OK: 950 mm, stand post square pipe 80 x 80 mm, Base plate 300 x 300 mm with 4 holes Ø 18.5 mm
 - Rotating section made of square pipe 70 x 70 mm, welded barrier tree, horizontally rotatable, consisting of steel pipe Ø 70 mm with joist Ø 33.7 mm optionally with seat deflectors
 - Welded spacers with reflector plates between Barrier tree and joist
 - Two separate locks for emergency unlocking and operational unlocking
 - The operational locking may be equipped with a forced closure
- forced closure = you can only remove the key when the barrier is locked



Manual Turn Barrier without seat deflectors

Locking Systems:

Emergency Locking:

- Triangular lock DIN 3223
 - Hexagonal lock DIN 14925
- Both closures with stainless steel safety cap and additional padlock
- City-related fire brigade closure

Operational Locking:

- Profile half cylinder 30/10 mm
- Optional with forced closure

barrier tree lengths

1,50 m	HDS1,5
2,00 m	HDS2
2,50 m	HDS2,5
3,00 m	HDS3
3,50 m	HDS AI3,5
4,00 m	HDS AI4
4,50 m	HDS AI4,5
5,00 m	HDS AI5
5,50 m	HDS AI5,5
6,00 m	HDS AI6

other lengths possible

accessories	
seat deflectors	SAW
support post	APK
mounting compound anchors	VAP



Individual design, constructive solutions

The metal processing includes a very diverse range of usage sites.

We are looking forward to solve your challenges in metal constructions and locksmithing.

We manufacture gates and fences, handrails, carports and garbage houses.

Of course, we do service and repairs around the house.

This includes the manufacture of railings, gratings, fall arrestors and grilles.

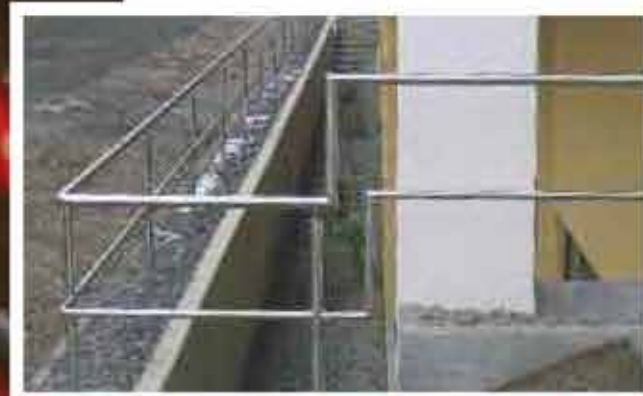
Due to the very diverse fields of action in the metal constructions, we would like to supply here a small cross-section insight in the field of metal processing.



grilles



gates & fences



railings



roofs



garbage houses



Automatic Barriers and gate drives - simply safe



In addition to the manual operation, we offer electrical barriers and chain sinkers for convenient opening and closing, as an effective shut-off of garages, parking lots and access roads.

Likewise, electrical door drives make a pleasant opening and closing of access, courtyard and entrance gates.

Extensive control systems offer a variety of possibilities for individual use.

- > Chain Sinkers
- > Automatic Barriers
- > Automatic Swing Gates
- > Automatic Sliding Gates
- > Accessories

Your parking is just yours ...

KA 100

- Blocking of entrances and exits
- Blocking of loading and unloading zones
- Blocking of parking lots

The chain sinker is delivered ready for connection. The delivery includes: drive column with motor, control, rope with sleeves or stainless steel chain, counterweight, mounting plate for fastening of the rope / chain. Optionally you can receive hand transmitters, safety flags yellow or orange reflective, the counter-column with internal or external counterweight as well as a cover with LED lighting, a floor mounting plate for concreting as well as a warning light.

Construction:

The drive- and counter-column (optional) are made of steel, hot-dip galvanized or alternatively powder coated according to RAL +/- available.

Function:

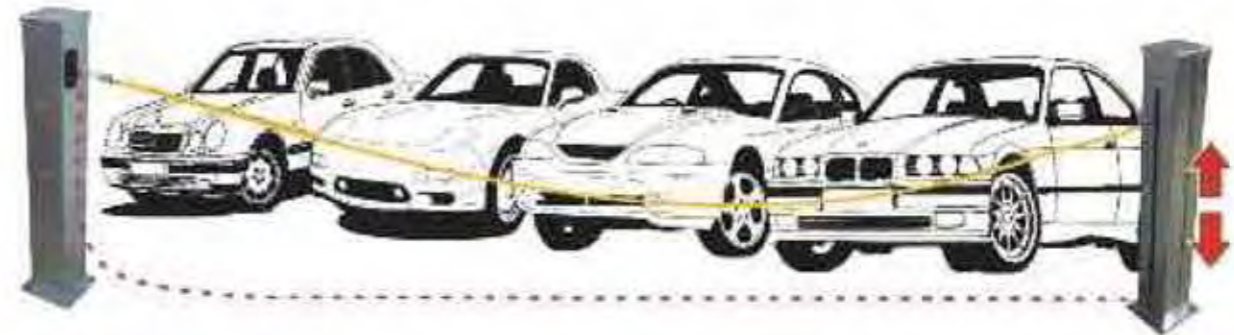
A reliable geared motor raises or lowers the stainless steel chain / rope via a sprocket in a few seconds. The stainless steel chain / rope is attached to the counter-column (Special accessories) or an existing wall.

Sleeves in signal yellow on the rope, or (optional) orange or yellow reflecting safety flags create good visibility. Nearly full width by counterweights. The controller processes the transmit pulse and switches the drive after lifting or lowering automatically. The connection of command buttons for lifting and lowering, as well as automatic closing is possible. A break point (securing ring) ensures safety and damage limitation on the vehicle and chain sinker.



Technical specifications	KA 100
Power supply	230 VAC / 50 Hz
Shut-off distance with rope	8 m standard, with 2 drive columns up to max. 15 m
Shut-off distance with stainless steel chain	6 m standard, with 2 drive column up to max. 12 m
Maximum pulling force	450 N
Control voltage	24 VDC
Drive motors	24 VDC, 5 A
Break point	securing ring
Dimensions column HxWxD	990 x 140 x 140 mm
Dimensions Base plate WxD	200 x 320 mm
Control unit	Comf. Microprocessor-control
Connection possibility for	light barrier, key switch and warning light / lighting
Automatic feed	selectable, setting range 10-150 sec.
Radio system	2-channel radio receiver 868.3 MHz 4-channel hand transmitter 868.3 MHz
Mounting type	via base plate for dowelling optionally with concrete anchor plate

Subject to technical changes



QIK Automatic Barriers

Saving parking places

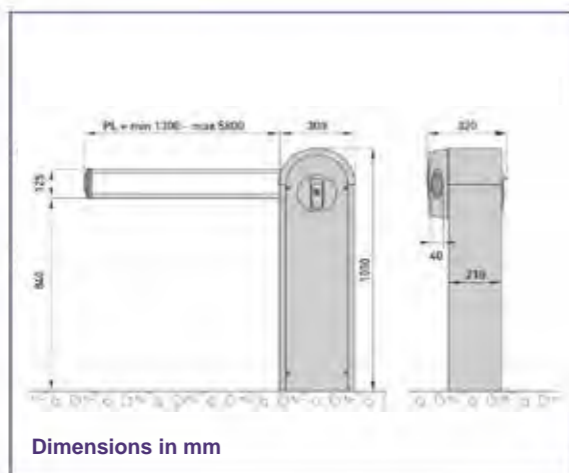
QIK - the new designed automatic barrier by Ditec

The innovative design with rounded edges and many details pleases with its clear lines.

The new technical concept allows a highly variable and safe application in many areas. QIK is a high-quality solution for the regulation of traffic in both the commercial area at banks, hotels or shopping centers, as well as in the industrial sector at factory entrances.

The sturdy steel housing is produced in grey and red in the standard version. For users with the highest claims, the barrier is also available in stainless steel.

The high flexibility is ensured by variable lengths of 2 - 6 meters and a wide range of accessories.



Technical characteristics	QIK 4E	QIK 7EH	QIK 80EH
automatic barrier	up to 3.5 m (motor 230 V~)	up to 5.8 m (motor 230 V~)	up to 7,6 m (motor 230 V~)
End position detection	limit switch	analogue	analogue
Tree length	3,5 m	6 m	7,8 m
Throughout width	3,5 m	5,8 m	7,6 m
Operating class	4 - intensive	5 - continuous operation	5 - continuous operation
Intermittent operation	S2 = 15 min S3 = 30%	S2 = 60 min S3 = 60%	S2 = 50 min S3 = 50%
Supply voltage	230 V ~ / 50 Hz	230 V ~ / 50-60 Hz	230 V ~ / 50-60 Hz
Duty class	4 - heavy	5 - very heavy	4 - heavy
Input	1,2	A 1	A 1,2 A
Torque	90 Nm	70 Nm	200 Nm
Opening/Closing time	4 s / 90 °	2 - 6 s / 90 °	6 - 12 s / 90 °
Release for manual opening	by key	by key	by key
Operating temperature	-20 ° C / + 55 ° C	-20 ° C / + 55 ° C	-20 ° C / + 55 ° C
Protection class	IP 55	IP 55	IP 55
Dimensions (mm)	300x320x1050	300x320x1050	405x525x1180
Motor control	E1A (built-in)	EL31R (built-in)	EL34 (built-in)

Automatic drives for swing gates

Automatic Swing Gates

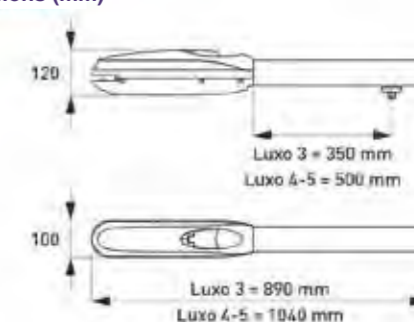
for intensive use

The automation of Swing Gates needs careful planning, because it is not only exposed to the effects of weather, but also often in intensive use.

In plant design, the installation situation and the design of the door profile are important for the choice of a suitable system. we offer a wide product range for easy installation at gates and doors of any size and operating frequency.



Dimensions (mm)



Technical specifications	LUXO 3B	LUXO 5B
Electromechanical actuator	irreversible and reversible for up to 3.5 m wide wing	irreversible and reversible for up to 5 m wide wing
Stroke control	lever-operated limit switch (optional)	lever-operated limit switch (optional)
Maximum capacity	350 kg x 2.5 m 250 kg x 3.5 m	500 kg x 3 m 250 kg x 5 m
Operating class	4 - intensive	4 - intensive
Power supply	230 V ~ / 50 Hz	230 V ~ / 50 Hz
Duty class	4 heavy duty	4 heavy duty
Power input	1.1 A	1.1 A
Thrust	3000 N	3000 N
Opening time	22 s / 90 °	32 s / 90 °
Maximum stroke	350 mm	500 mm
Maximum opening	110 °	120 °
Release for manual opening	by key	by key
Operating temperature	-20 ° C / + 55 ° C	-20 ° C / + 55 ° C
Protection rating	IP 24D	IP 24D
Dimensions (mm)	100x120x890	100x120x1040
Motor control	E2 LOGIC M	E2 LOGIC M

Automatic Drives for sliding gates up to 300 kg

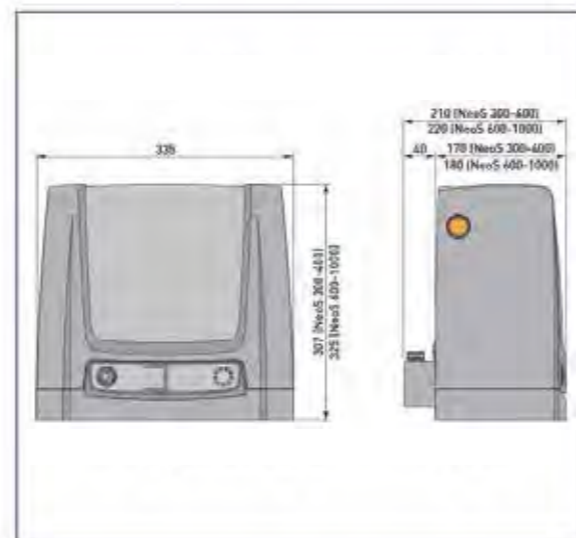
NEOS 300

Ideal for intensive use at yard gate in the private area

- Built-in electronic engine control with integrated radio
- Easy unlocking with a key by opening a rocker arm
- Light barriers can be integrated into the drive
- 24 V motor operation with encoder and end position damping



Technical specifications	CROSS 3E
Electromechanical drive for sliding doors up to 300 kg	
Stroke control	virtual encoder
Maximum goal weight	300 kg
Operating class	4 -intensive
Intermittent operation	S2 = 30 min. S3 = 50%
Power absorption	230 V ~ / 50-60 Hz
Class of protection	class 1
Power input	1.2 A
Thrust	300 N
Opening speed	0.1 - 0.25 m / s
Closing speed	0.1 - 0.25 m / s
Maximum opening	12 m (rack)
Manual unlocking	by key
Operating temperature	-20 ° C / + 55 ° C (-35 ° C / + 55 ° C With activated NIO)
Protection class	IP 24D
Dimensions Control (mm)	335x210x325
Motor control unit	CS12E



Further information and accessories for electrical barriers and gate drives are available in our extensive range brochure material, which we will gladly send to you.

Ditec Accessories for controls, drives and safety

All automation systems must be supplemented with control, drive and safety devices which are compatible with all system components and meet the requirements of the relevant standards. DITEC distributes only high-quality and standard products and accessories.

GOL 4 Remote Control

Exclusive design and innovative materials for the new Four-channel hand-held transmitter.

- for use in big houses with lots of residents and the possibility of cloning or with pre-programmed code that can be changed by key sequence
 - with non-clone rolling code for security applications
 - available in a basic and a luxury version (5-color) for both the rolling code and the clone Transmitter.
- Possibility to record an optional transponder. Equipped with a bracket for wall mounting or a clip for the car.



Xel - Infrared photoelectric sensors

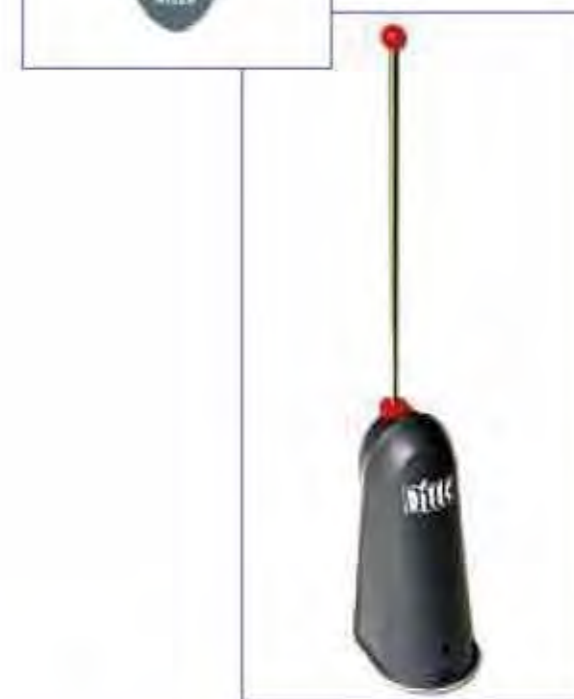
The most proven solution to operate at the highest safety level. Frequency-modulated infrared system. High quality electronics ensure maximum compatibility with the other accessories and a long life.

Due to its small dimensions, XEL 2 facilitates installation even in confined spaces or very narrow profiles and columns. With its pure and elegant lines, it adapts to every type of gate in the residential or industrial area.



Xel - Posts

Anodised aluminum base. Attractive design, which fits every type of gate. Maximum application diversity for soil and wall mounting. Equipment with light barrier (Xel CA / CB, Xel 22C2 / 22C3 and Lab 3C) is possible. Easy and fast installation. Specially developed floor mounting (Xel BS and Lab 3BS).



Xel - Synchronized light barrier

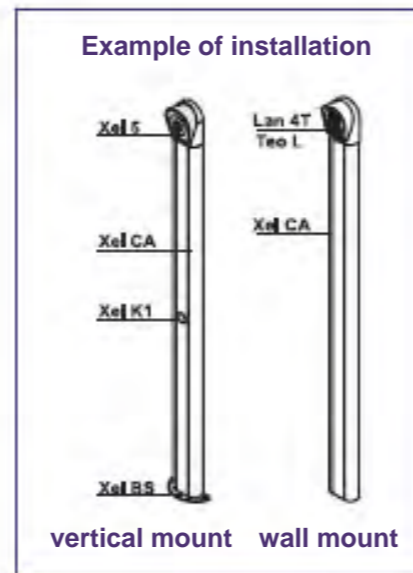
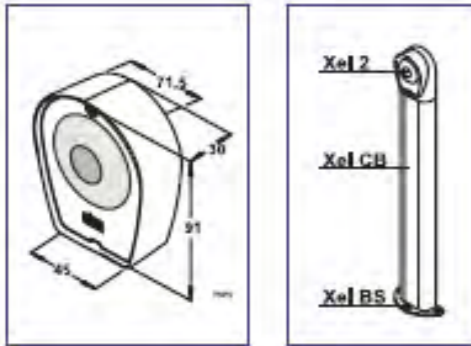
Complement Xel's features with the possibility to synchronize up to seven light barriers. Synchronization eliminates optical interference caused by nearby devices.

Further information and accessories for electrical barriers and gate drives are available in our extensive range brochure material, which we will gladly send to you.

Ditec - accessories for controls, motors and safety

Intelligent solutions for any usage

The DITEC accessories of the series Xel, Lab, Lan and Teo offers solutions without the need of constructions-changes. They can be wall or vertical mounted.



Lamp with integrated wireless antenna

24 V and 230 V flashing light with flashing operation controlled from the control panel. Elegant, attractive design. For the visual display of the gate / automatic barrier movement. Fits any type of door profile, whether modern or contemporary classic. Also available with practical wall mount.



LAB 9 - magnetic loop detector

Starts the barrier automatic opening operation when a car goes over the sensor fitted to the pavement and it detects the car going past it and stops the bar from closing until the car has gone through.

It is the ideal control system for automatic barriers at parking lots, commercial buildings, transit ramps and driveways.



LAN 60 - coin validator

Practical and efficient operation for a unique opening of an automatic barrier by inserting a coded coin.

The ideal control system for automatic parking lots, hotels, commercial buildings.

Further information and accessories for electrical barriers and gate drives are available in our extensive brochure material.



Please also visit us at
www.reinhold-stahlmetallbau.de

or call us -
we will be pleased to advise you, competently and
without obligation.

REINHOLD - STAHL - METALLBAU GmbH
Dritte Generation mit Tradition
Adequate Sichere Absperrtechnik

Startseite Absperrungen Gewerbebedarf Privatbedarf Kontakt

Wir entwickeln, konstruieren, produzieren, beraten und montieren für:

- Hausverwaltungen
- Bau- & Betriebshöfe
- Immobilienverwaltungen
- Städte & Kommunen
- Garten & Landschaftsbau
- Architekten & -büros
- Privat
- Forst- und Landwirtschaft

Kommunikation
Mo-Do 7:15 - 16:00
Fr. 7:15 - 12:15
Tel.: 089 / 850 20 25
Fax: 089 / 850 08 14
E-Mail: rsm@reinhold-stahlmetallbau.de
Anschrift: Zugspitzstraße 4
82131 Gauting

Das kreativste Sortiment unserer Produktion bietet Ihnen eine Vielzahl an individuellen Anwesenheitsmöglichkeiten rund um die Sicherung und Absperrungen von Parkplätzen, Zufahrtswegen, Ein- und Ausfahrten und auf Ihrem Gelände. Diesen Bereich ergänzen Fahrradständer und -anzubehänge in den verschiedensten Varianten.

In unserer Schlosserei / Metallbau bieten wir Ihnen Metallverarbeitung von Stahl und Edelstahl in unterschiedlicher Form, selbstverständlich auch Reparaturen rund um Haus, Dazu gehören Türen, Tore, Mülltonnenaugen, Fenstervergitterungen, Überdachungen, Tür- & Torerücklauf und vieles mehr.

Katalog

REINHOLD-STAHLMETALLBAU-GMBH

Zugspitzstraße 4 · 82131 Gauting · Tel. 089-850 20 25 · Fax 089-850 08 34
rsm@www.reinhold-stahlmetallbau.de · www.reinhold-stahlmetallbau.de

